



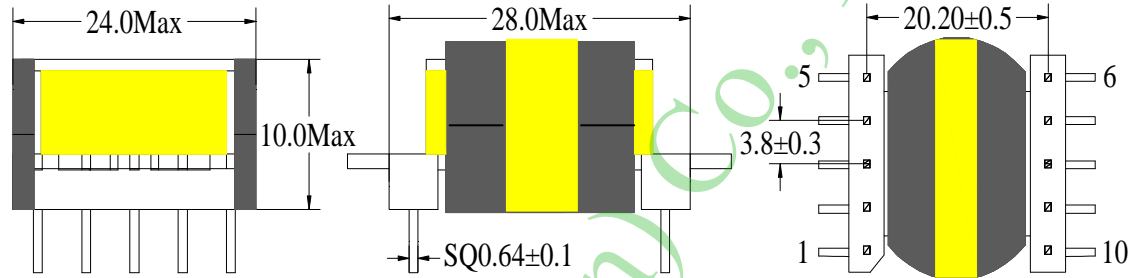
High-frequency transformer

POT23 Series

Parameters/Dimensions:

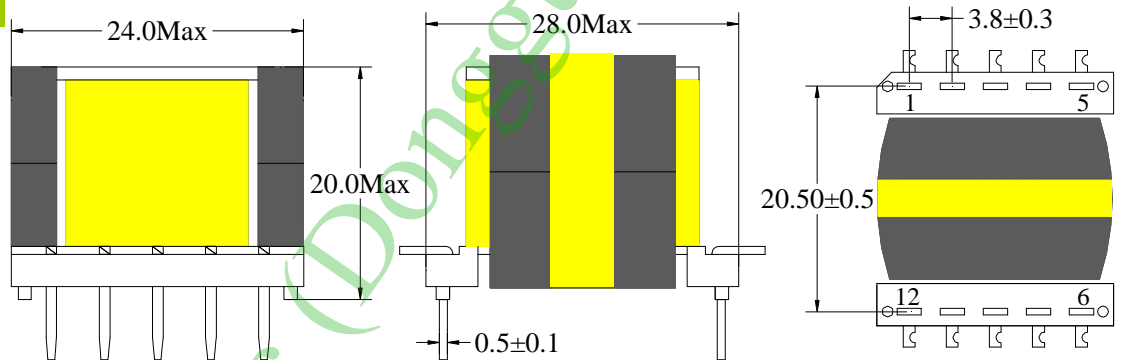
POT23 Type 1

- Information:
 Shape:POT23
 1 Power:25W
 2 Mounting Orientation: Vertical
 3 Size: 24 (W) * 28 (L) * 10 (H)
 4 Effective Ae (mm²): 53.0



POT23 Type 2

- Information:
 Shape:POT23
 1 Power:25W
 2 Mounting Orientation: Vertical
 3 Size: 24 (W) * 28 (L) * 20 (H)
 4 Effective Ae (mm²): 53.0



Note:

Bobbin type listed in the traditional style, transformer design parameters to customer needs or to inject prevail.

POT series high-frequency transformer features:

small size, high inductance, easy winding, magnetic shielding and heat dissipation balance.

Uses:

The carrier filter, a high sensitivity sensor, the sensor of high efficiency power converter transformers.